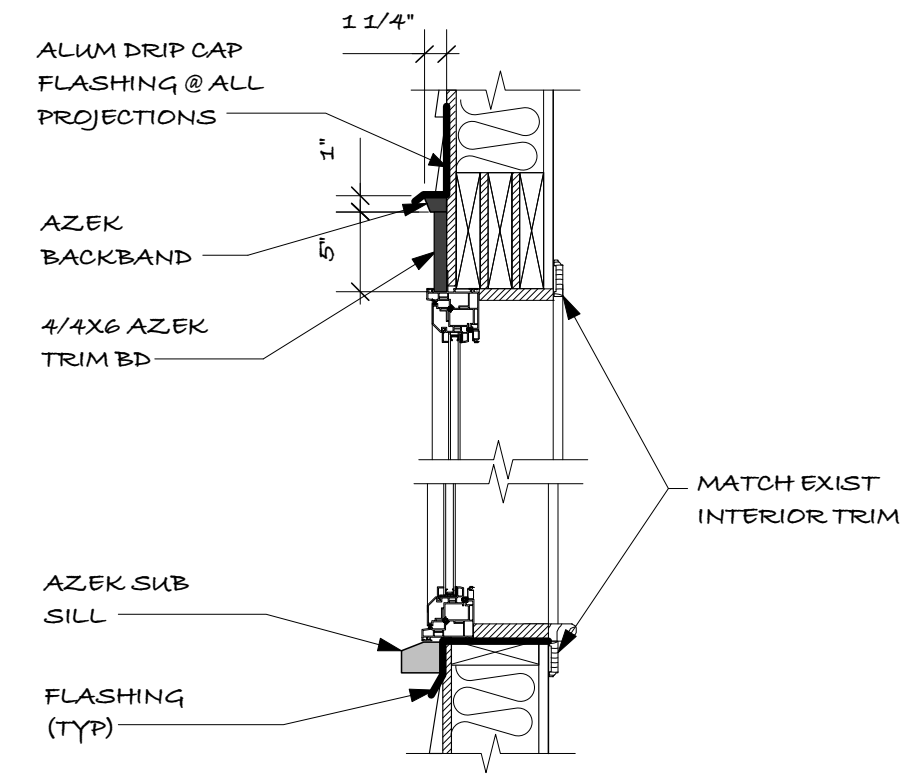
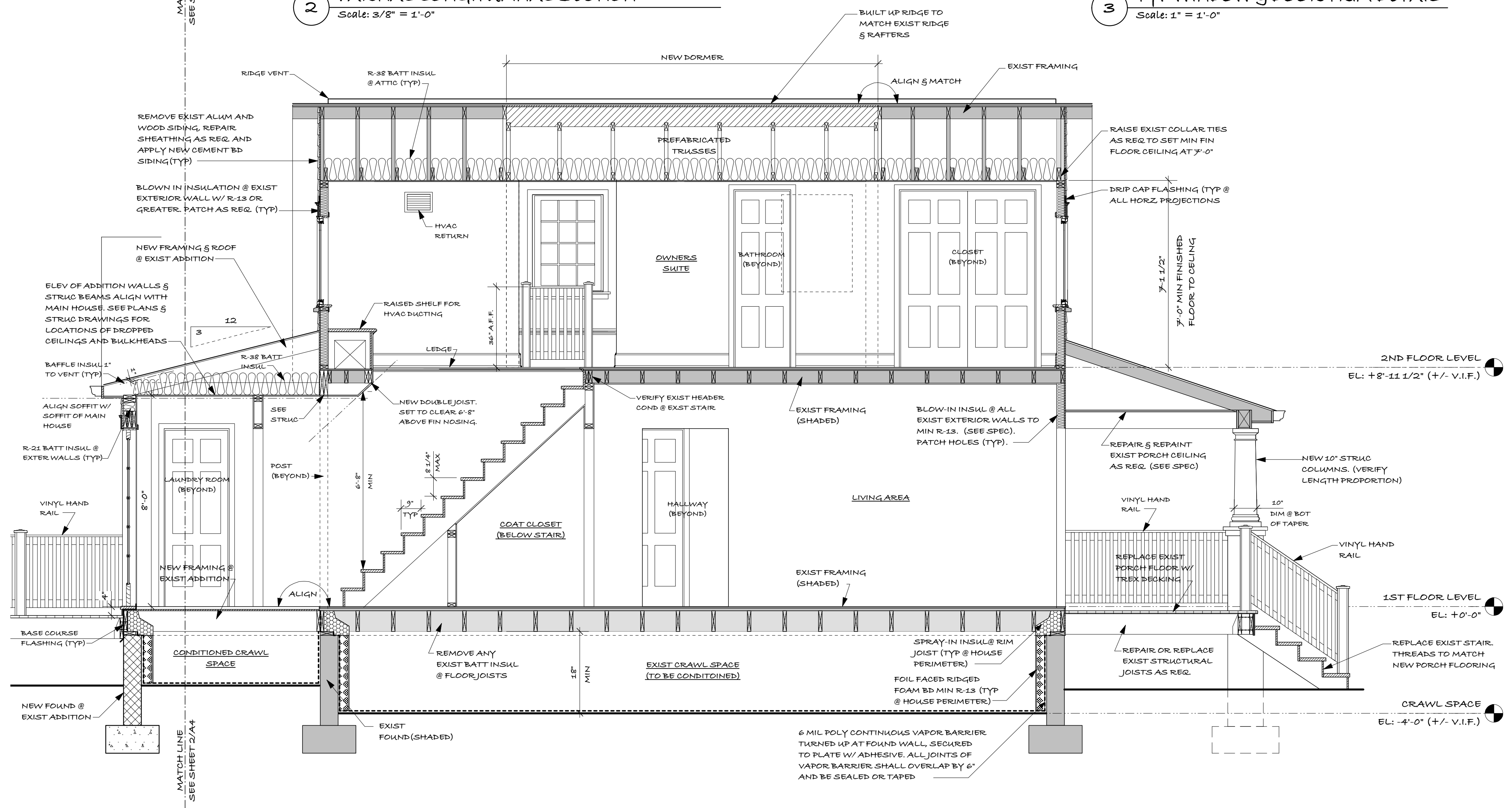


2 PARTIAL LONGITUDINAL SECTION
Scale: 3/8" = 1'-0"



3 TYP WINDOW & DOOR TRIM DETAIL
Scale: 1" = 1'-0"



1 PARTIAL LONGITUDINAL SECTION
Scale: 3/8" = 1'-0"

SECTION
LONGITUDINAL

REDEVELOPMENT AUTHORITY
OF PRINCE GEORGE'S COUNTY

REHABILITATION OF
3413 GLEN DRIVE, SUITLAND, MD 20746

Professional Certification. I hereby certify that these documents were prepared or approved by me, and that I am a duly licensed architect under the laws of the State of Maryland, License No. 7957-R, Expiration Date: 12/29/2013

BID ISSUE
5 OCTOBER 2012